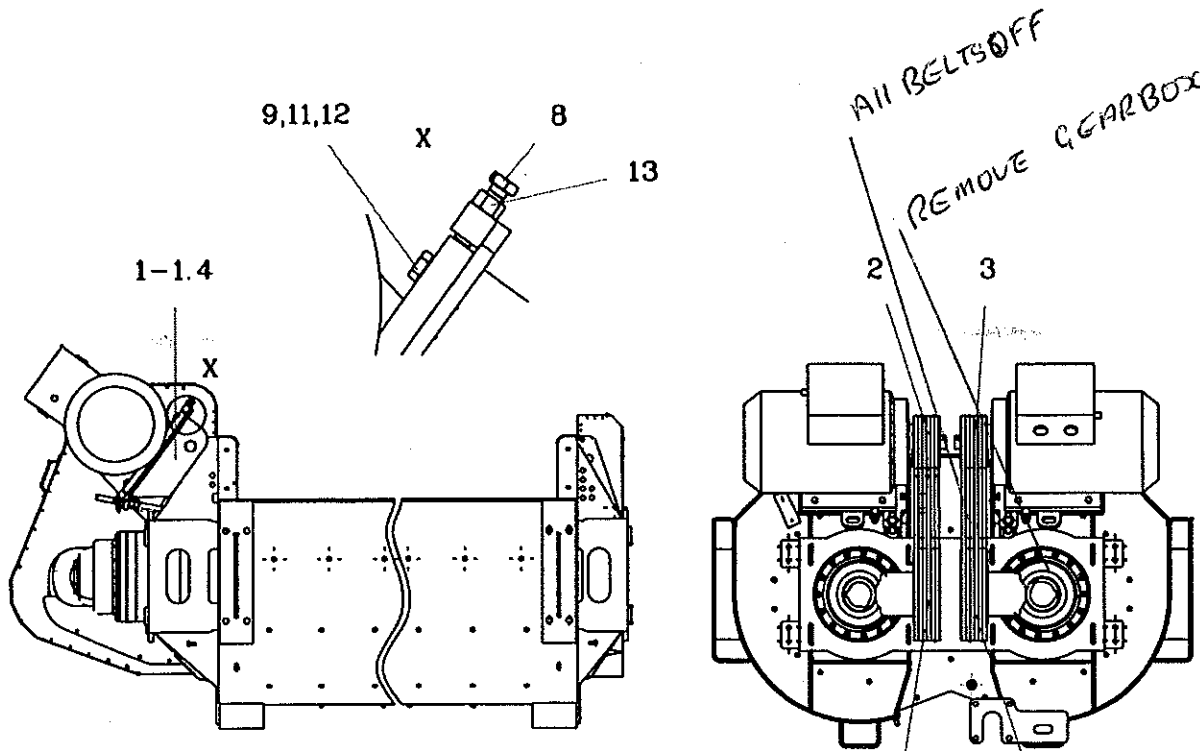
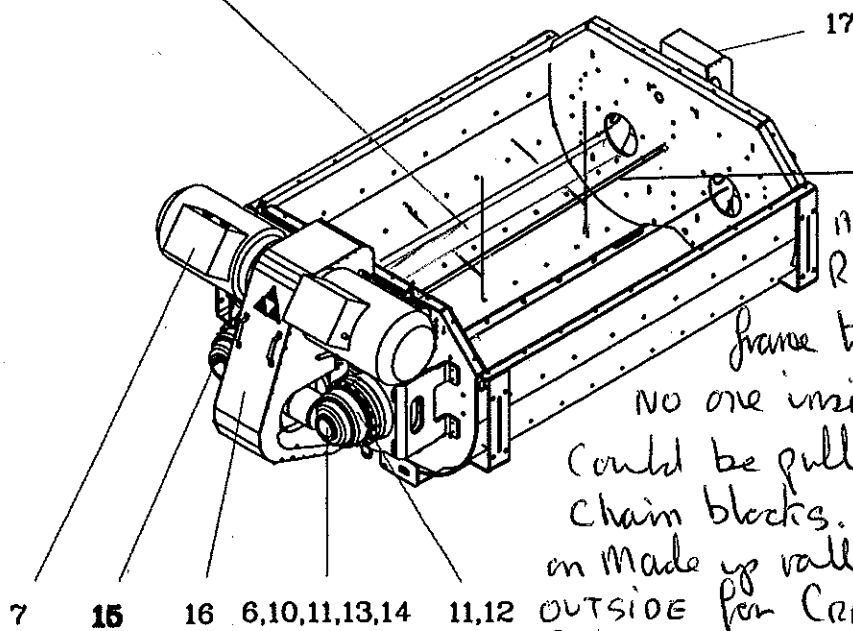


1ST
Remove all Arms and Tips
JUST ON ONE SIDE

2ND
REMOVE GUARD. Belts then
Gear box. which was held
in place with 4 roll pins



SHAFT 6 SIDES
 LENGTH 2.3mts
 WEIGHT 900kg



After Tips and Arms
 Remove. Made up
 frame to support it, with
 no one inside. the shaft then
 could be pulled out with
 chain blocks. the shaft sat
 on Made up rollers. pulled
 OUTSIDE for CRANE TO lift
 DOWN.

